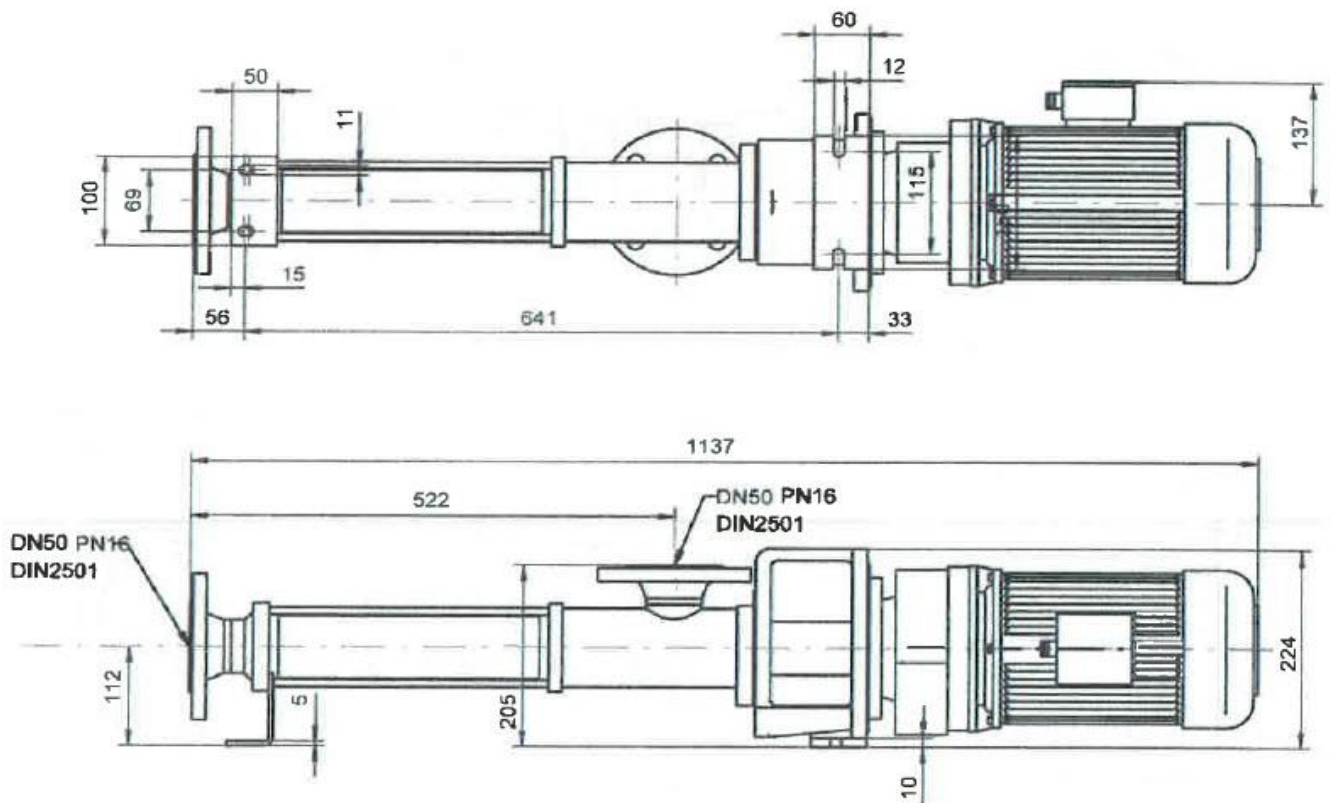


PROGRESSIVE CAVITY SLUDGE SCREW PUMPS EXN 50

PROGRESSIVE CAVITY SLUDGE SCREW PUMPS EXN 50



Ask SCARDANA about all pump replacements

SCARDANA®

DIVISION OF SCARDANA CORPORATION

FAX: (1) - 450 - 671 - 3898

TEL: (1) - 450 - 465 - 2480

E-mail : service@scardana.com

Web : www.scardana.com